

SENATOR™ G2FI 280



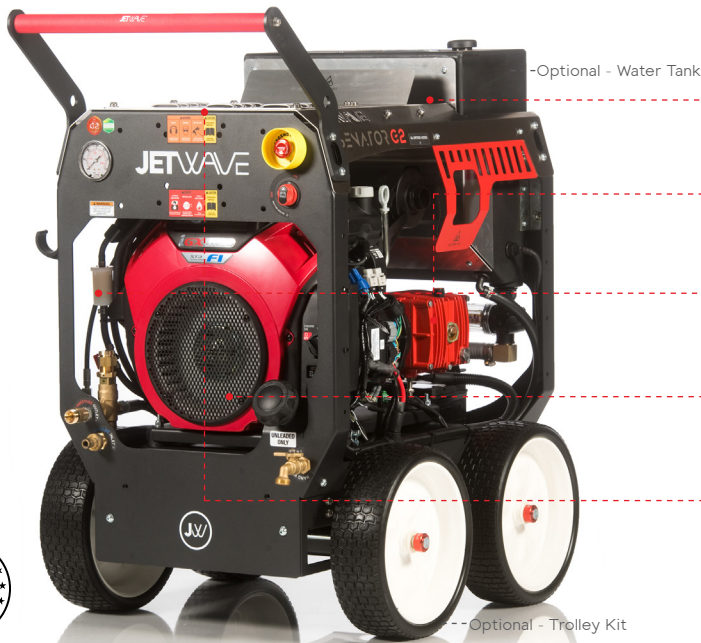
4060
PSI

31
L/PM

HONDA iGX800
EFI PETROL
ENGINE TYPE
POWERED by HONDA.

GEARBOX
1450RPM
DRIVE

COLD
WATER
OUTPUT



HERO INNOVATIONS



PEXO™
Stainless Steel Exoskeleton



JWPP™
Jetwave Italian Premium Pump



CC™
Centralised Control



AST™
Auto Speed Technology



MC™
Multi Configuration



CLASS B AS/NZS 4233
PRESSURE CLEANER
THIS CATEGORY IS REQUIRED FOR GREASE

APPLICATIONS

- Tradesmen
- Commercial Cleaners
- Shipping & Marine
- Offshore Oil & Gas



STANDOUT FEATURES



JW® Enhanced Italian triplex plunger pump running at 1450RPM delivers more performance and longer life.



Intelligent V-Twin EFI Honda™ iGX800 industrial series engine with automatic RPM's & choke sensor & electronic fuel injection with electric key start and digital engine hour meter.



Jetwave Safety System™ (JSS) thermal and safety valve to prevent overheating in excessive bypass and over pressurisation.



Optional: Seamless & sealed 40L on-board oversized water bypass tank with low level cut out, for enhanced industrial design, functionality and user experience.



Battery isolator.



Emergency stop.

STANDARD EQUIPMENT

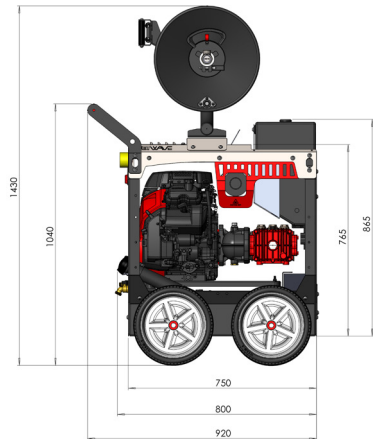
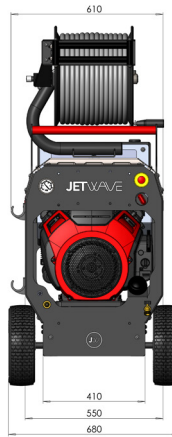


J5000™ High Pressure Gun + Twin Lance with Nozzles.



15m Double Wire Braid Hose with M22 Couplings.

DIMENSIONS (MM)



TECHNICAL DATA 0:00

SENATOR G2FI 350

Product Code	CW4000-31PEG2FI
Pressure / Flow Rate	4060 PSI (280 BAR) / 31 L/PM
Max Water Inlet	60C°
Class (ASNZS: 4223)	Class B (8,750 Bar/Litres)
Usage Frequency	Professional - 4 Hours Daily
Nozzle Size	08
Frame Structure	CNC Modular galvanised steel chassis plus satin powder coat finish and stainless steel cover

MOTOR FEATURES



Engine / Power	Honda™ iGX800 Electric Key Start (air cooled w/auto speed tech) 25 HP / 800cc
Fuel Type / Capacity / Protection	Unleaded / 25L (w/level gauge) / Low Oil Shutdown

HYDRAULIC FEATURES



Pump / Head / Pistons	JW® Italian Triplex Plunger / Brass (Nickle Plated) / Ceramic
Motor Pump Coupling / Pump RPM	Gearbox Drive / 1450RPM
Unloader Valve	Independent
Safety Valve	Yes
Detergent Injector	No

DIMENSIONS & WEIGHT



Machine Dimensions / Weight	Skid: 750mm(L) x 410mm(W) x 765mm(H) / 195KG
-----------------------------	--

WARRANTY(S)



Unit / Pump Warranty*	2 Years
Engine Warranty*	3 Years

OPTIONAL ACCESSORIES

OPTIONAL UPGRADES

30m Hose Reel	1060CMPL	40L On-Board Water Tank w/low level cut out	90008-40ROTOCMPL
60m Hose Reel	1067CMPL	4 Wheel Trolley Kit	JWA407A
Additional High Pressure Hose	52001	Front Double Stack Kit	JWA-429C
JW Bypass Pro Foam	PROFOAM	Top Double Stack Kit	JWA-430C
Turbo Head w/Lance (300BAR)	JWA160.08	Low Pressure Inlet Hose Reel w/30m hose	1065CMPLLP
21" Hammerhead - Stainless Steel	JWA-FSC21-5	Hose Reel Roller Guide System HGS™	1067-GUIDEASSY (1067 Only)
30" Hammerhead - Stainless Steel	JWA-FSC30		

The manufacturer reserves the right to modify design features and technical facts without notice, due to our principals of continuous improvement.

*Coverage against defects in material and workmanship (refer to Jetwave's and component partners T&Cs).

V2.2 08/21